



DETUNED INDUCTORS FOR PF IMPROVEMENT CAPACITORS



APPLICATION:

Detuned Inductors for
PF Improvement Capacitors

Designed according to the basic system odd-harmonic currents of 5th, 7th, 11th, and 13th Order as:

I5 = 50% max.,
I7 = 25% max.,
I11 = 12.5% max.,
I13 = 5% max.

(Others on special request)

Electrical supply systems harmonics is like a cancer on supply systems and causes extreme bad effects on the supply system component and connected electrical apparatus. This too, without one knowing about it. These harmonic currents & voltages are generated due to the modern day non-linear loads like variable speed drives, UPS, induction & arc furnaces, LED lamps and electronically operated CFL's and other fluorescent lamps, etc.

Capacitors put on supply lines play a vital role when the effect of harmonic is considered.

Normally capacitors causes:

- Enhances the harmonics.
- Gets itself deteriorated causing lower VAR compensation.
- Capacitor bursting causing human safety issues.
- Resonance on supply system causing excessive over voltage and over current.
- Enhancement in short circuit fault currents.

Despite these adversities, capacitors are needed to improve supply system power factor (D-PF).

TAS "**DETUNED INDUCTORS**" give effective solution to all these above problems and allows safe usage of capacitors to improve the power factor.

FEATURES

- Protection to capacitors against harmonics
- Reduces harmonic distortion
- Reduces power losses
- High harmonic load handling capacity
- Has a high linearity to avoid magnetic saturation for higher crest factors of waveform.
- Convenient mechanical design for mounting
- Long lifespan
- Temperature protection in all 3 phase windings
- Temperature protection in all 3 phase windings

TECHNICAL SPECIFICATIONS:

Frequency	50 Hz (60Hz on specific made to order)	Insulation strength	3kV 50 Hz for 1min 5mA tripping P-P, P-E
Voltage	380..440V AC 3 Phase Line to Line Value	Linearity	≤3% error of normal inductance value up to 130% of rated current
Rating	5 to 100 KVAR Capacitors	Cooling	Natural Cooling
Detuning/Filtering % voltage drop	6%, 7% & 14%	Enclosure	IP-00
Core	Multi Gap Silicon Steel Iron	Phase	3 phases
Ambient Temperature	50°C Max	Temperature protection	Thermal Switch, 130°C NC type in all three phase windings

For 6% Detuned Inductor

Capacitor KVAR Value @525Vac	Frame Size	LC Combination Effective KVAR @ Voltages/50HZ				Type No.	Price list (Vnd)
		380Vac (Amp)	400Vac (Amp)	415Vac (Amp)	440Vac (Amp)		
5	A	2.77(4.44)	3.07(4.44)	3.31(4.61)	3.72(4.89)	AFR-6/005/525	Please Call
10	B	5.55(8.40)	6.17(8.91)	6.62(9.22)	7.45(9.77)	AFR-6/010/525	3.500.000
15	B	8.33(12.66)	9.26(13.37)	9.93(13.82)	11.17(14.66)	AFR-6/015/525	4.500.000
20	B	11.1(16.88)	12.35(17.83)	13.25(18.43)	14.89(19.54)	AFR-6/020/525	4.800.000
25	C	13.88(21.10)	15.38(22.5)	16.56(23.04)	18.61(24.43)	AFR-6/025/525	5.040.000
30	C	16.66(25.31)	18.5(27.00)	19.87(27.65)	22.33(29.31)	AFR-6/030/525	5.500.000
40	C	22.21(33.75)	25(36.00)	26.49(36.86)	29.78(39.08)	AFR-6/040/525	6.800.000
50	C	27.76(42.19)	30.6(45.00)	33.12(46.00)	37.23(48.85)	AFR-6/050/525	7.600.000
60	D	33.32(50.63)	37.5(54.00)	39.74(55.29)	44.68(58.62)	AFR-6/060/525	8.500.000
80	D	44.43(67.51)	49.5(72.00)	52.99(73.72)	59.57(78.16)	AFR-6/080/525	11.200.000
100	E	55.54(84.38)	61.6(89.50)	66.24(92.15)	74.46(97.71)	AFR-6/100/525	14.300.000
.....	AFR-6/...../525	Please Call

For 14% Detuned Inductor

Capacitor KVAR Value @525Vac	Frame Size	LC Combination Effective KVAR @ Voltages/50HZ				Type No.	Price list (Vnd)
		380Vac (Amp)	400Vac (Amp)	415Vac (Amp)	440Vac (Amp)		
5	A	3(4.62)	3.37(4.87)	3.62(5.05)	4.08(5.35)	AFR-14/005/525	Please Call
10	B	6.08(9.25)	6.74(9.73)	7.26(10.10)	8.16(10.71)	AFR-14/010/525	Please Call
15	B	9.13(13.87)	10.11(14.6)	10.88(15.15)	12.24(16.06)	AFR-14/015/525	Please Call
20	C	12.17(18.49)	13.48(19.47)	14.52(20.20)	16.32(21.41)	AFR-14/020/525	6.800.000
25	C	15.21(23.12)	16.85(24.34)	18.14(25.25)	20.4(26.77)	AFR-14/025/525	7.300.000
30	D	18.26(27.74)	20.23(29.2)	21.78(30.30)	24.48(32.12)	AFR-14/030/525	7.900.000
40	D	24.34(36.99)	27(38.94)	29(40.40))	32.64(42.83)	AFR-14/040/525	Please Call
50	E	30.43(46.24)	33.71(48.67)	36.29(50.50)	40.8(53.54)	AFR-14/050/525	9.800.000
60	E	36.52(55.48)	40.46(58.4)	43.55(60.59)	64.24(64.24)	AFR-14/060/525	Please Call

For 480 VAC, 3Phase 50Hz Capacitors

For 7% Detuned Inductor

Capacitor KVAR Value @480Vac	Frame Size	LC Combination Effective KVAR @ Voltages/50Hz			Type No.	Price list (Vnd)
		380Vac (Amp)	400Vac (Amp)	415Vac (Amp)		
5	A	3.37(5.13)	3.74(5.40)	4.02(5.60)	AFR-07/005/480	Please Call
10	B	6.75(10.26)	7.48(10.8)	8.05(11.20)	AFR-07/010/480	3.500.000
15	B	10.13(15.38)	11.22(16.19)	12.08(16.80)	AFR-07/015/480	4.500.000
20	B	13.5(20.51)	14.95(21.59)	16.1(22.40)	AFR-07/020/480	4.800.000
25	C	16.87(25.64)	18.69(26.99)	20.12(28.00)	AFR-07/025/480	5.040.000
30	C	20.25(30.77)	22.44(32.39)	24.15(33.60)	AFR-07/030/480	5.500.000
40	C	26.99(41.02)	29.91(43.18)	32.2(44.80)	AFR-07/040/480	6.800.000
50	C	33.75(51.28)	37.39(53.98)	40.25(56)	AFR-07/050/480	7.600.000
60	D	40.5(61.53)	44.87(64.77)	48.3(67.20)	AFR-07/060/480	8.500.000
80	D	53.99(82.04)	59.83(86.36)	64.41(89.60)	AFR-07/080/480	11.200.000
100	E	67.5(102.55)	74.79(107.95)	80.5(112)	AFR-07/100/480	14.300.000
.....	AFR-07/...../480	Please Call

For 6% Detuned Inductor

Capacitor KVAR Value @480Vac	Frame Size	LC Combination Effective KVAR @ Voltages/50Hz			Type No.	Price list (Vnd)
		380Vac (Amp)	400Vac (Amp)	415Vac (Amp)		
5	A	3.32(5.05)	3.68(5.31)	3.96(5.51)	AFR-06/005/480	Please Call
10	B	6.64(10.09)	7.36(10.63)	7.92(11.02)	AFR-06/010/480	3.500.000
15	B	9.16(15.14)	11.04(15.94)	11.88(16.54)	AFR-06/015/480	4.500.000
20	B	13.28(20.19)	18.4(26.56)	15.85(22.05)	AFR-06/020/480	4.800.000
25	C	16.61(25.24)	22.08(31.88)	19.81(27.56)	AFR-06/025/480	5.040.000
30	C	19.93(30.28)	29.44(42.50)	23.77(33.07)	AFR-06/030/480	5.500.000
40	C	26.57(40.38)	36.8(53.13)	31.69(44.10)	AFR-06/040/480	6.800.000
50	C	33.22(50.47)	36.8(53.13)	39.62(55.12)	AFR-06/050/480	7.600.000
60	D	39.86(60.57)	44.17(63.75)	47.54(66.15)	AFR-06/060/480	8.500.000
80	D	53.15(80.76)	58.89(85)	63.39(88.19)	AFR-06/080/480	11.200.000
100	E	66.44(100.95)	73.62(106.26)	79.24(110.24)	AFR-06/100/480	14.300.000
.....	AFR-06/...../480	

For 14% Detuned Inductor

Capacitor KVAR Value @480Vac	Frame Size	LC Combination Effective KVAR @ Voltages/50Hz			Type No.	Price list (Vnd)
		380Vac (Amp)	400Vac (Amp)	415Vac (Amp)		
5	A	3.64(5.53)	4.03(5.82)	4.43(6.04)	AFR-14/005/480	Please Call
10	B	7.28(11.06)	8.06(11.64)	8.68(12.08)	AFR-14/010/480	Please Call
15	B	10.92(16.59)	12.1(17.27)	13.03(18.12)	AFR-14/015/480	Please Call
20	C	14.56(22.12)	16.14(23.29)	17.37(24.16)	AFR-14/020/480	Please Call
25	C	18.2(27.66)	20.17(29.11)	21.7(30.22)	AFR-14/025/480	Please Call
30	D	21.84(33.19)	24.2(34.93)	26.05(36.24)	AFR-14/030/480	Please Call
40	D	29.12(44.25)	32.27(46.58)	34.74(48.33)	AFR-14/040/480	Please Call
50	E	36.41(55.31)	40.34(58.22)	43.12(60.41)	AFR-14/050/480	Please Call
60	E	43.68(66.37)	48.41(69.87)	52.11(72.49)	AFR-14/060/480	Please Call
.....	AFR-14/...../480	Please Call

For 440 VAC, 3Phase 50Hz Capacitors

For 7% Detuned Inductor

Capacitor KVAR Value @440Vac	Frame Size	LC Combination Effective KVAR @ Voltages/50Hz		Type No.	Price list (Vnd)
		380Vac (Amp)	400Vac (Amp)		
5	A	4.02(6.10)	4.45(6.42)	AFR-07/005/440	Please Call
10	B	8.03(12.20)	8.9(12.85)	AFR-07/010/440	2.740.600
15	B	12.05(18.31)	13.35(19.27)	AFR-07/015/440	3.243.400
20	C	16.07(24.41)	17.8(25.69)	AFR-07/020/440	3.494.900
25	C	20.8(30.51)	22.25(32.12)	AFR-07/025/440	3.872.000
30	C	24.09(36.61)	26.7(38.54)	AFR-07/030/440	4.225.700
40	C	32.13(48.82)	35.6(51.39)	AFR-07/040/440	5.318.600
50	D	40.16(61.02)	44.5(64.24)	AFR-07/050/440	6.532.900
60	D	48.2(73.23)	53.4(77.08)	AFR-07/060/440	7.747.100
75	E	59.3(85.54)	66.7(92.68)	AFR-07/075/440	9.325.000
80	E	64.26(97.84)	71.2(102.78)	AFR-07/080/440	9.811.400
100	E	80.33(122.05)	89(128.47)	AFR-07/100/440	11.511.400
.....	AFR-07/...../440	Please Call

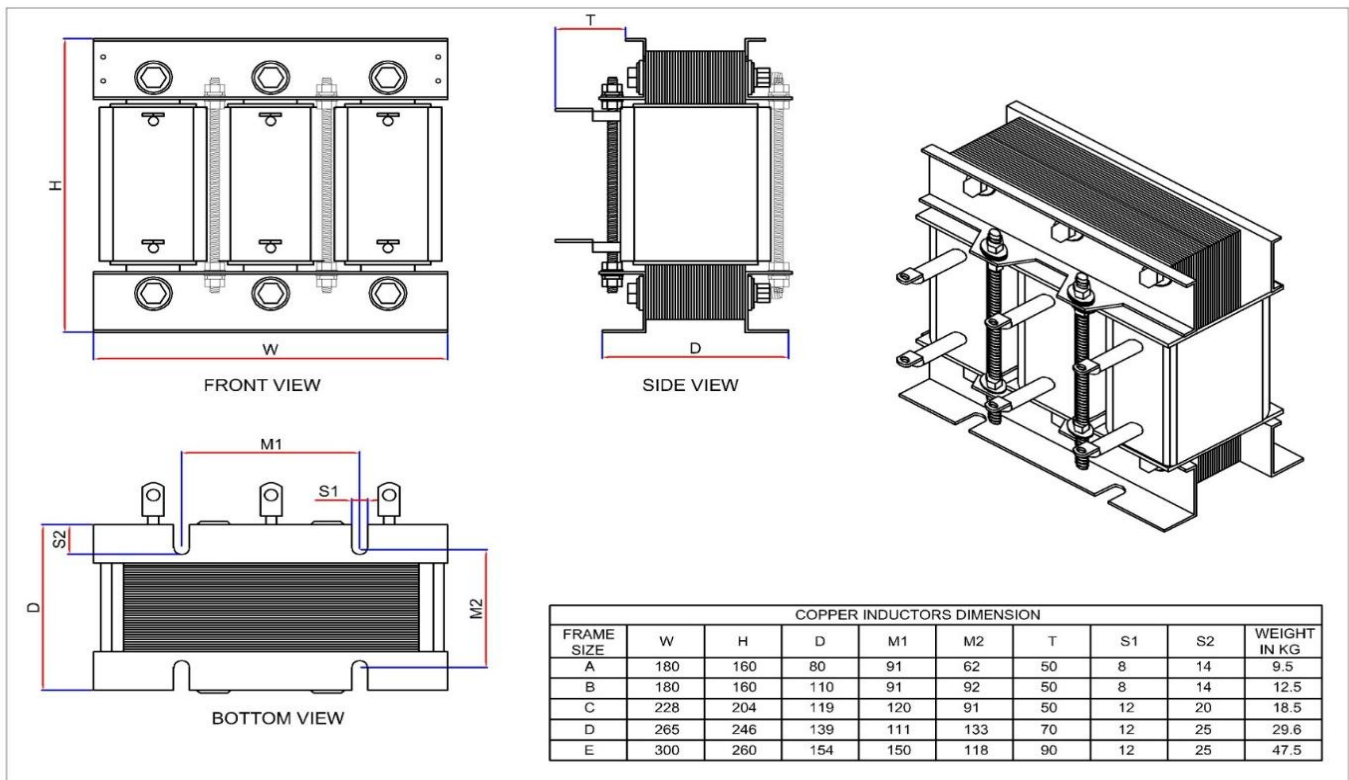
For 6% Detuned Inductor

Capacitor KVAR Value @440Vac	Frame Size	LC Combination Effective KVAR @ Voltages/50Hz		Type No.	Price list (Vnd)
		380Vac (Amp)	400Vac (Amp)		
5	A	3.95(6.01)	4.68(6.32)	AFR-06/005/440	Please Call
10	B	7.91(12.01)	8.76(12.65)	AFR-06/010/440	Please Call
15	B	11.86(18.02)	13.14(18.97)	AFR-06/015/440	Please Call
20	V	15.81(24.03)	17.52(25.29)	AFR-06/020/440	Please Call
25	C	19.76(30.03)	21.9(31.61)	AFR-06/025/440	Please Call
30	C	23.72(36.04)	26.28(37.94)	AFR-06/030/440	Please Call
40	C	31.63(48.05)	35(50.58)	AFR-06/040/440	Please Call
50	D	39.53(60.07)	43.8(63.23)	AFR-06/050/440	Please Call
60	D	47.44(72.00)	52.57(75.87)	AFR-06/060/440	Please Call
80	E	63.25(96.11)	70(101.16)	AFR-06/080/440	Please Call
100	E	79.7(120.13)	87.61(126.46)	AFR-06/100/440	Please Call
.....	AFR-06/...../440	Please Call

• Ghi chú :

- Giá trên chưa bao gồm VAT.
- Giao hàng trong phạm vi TP.HCM.
- Hàng xuất xứ : India
- Bảo hành : 2 năm
- Hàng thường xuyên có sẵn cho điện áp tụ 440V. (Kháng 7%)
- Bảng giá áp dụng từ ngày 15/04/2016. (Sẽ có thông báo trước 30 ngày kể từ ngày thay đổi giá đến các đại lý)

Mechanical Dimensions:



ALL DIMENSIONS ARE IN mm.

This document must not be copied without our written permission and the contents there of must not be imparted to a third party nor be used for any unauthorized purpose. Contravention will be prosecuted.

TAS POWER TEK

Drawing Name: COPPER INDUCTORS DIMENSIONS

Drawing NO :

Drawn by: S.B. Drawing checked by: S.S.S.

CLIENT NAME :



TOLERANCE

Scale NTS

DATE
19-05-14

Rev 0 Sheet no 5

